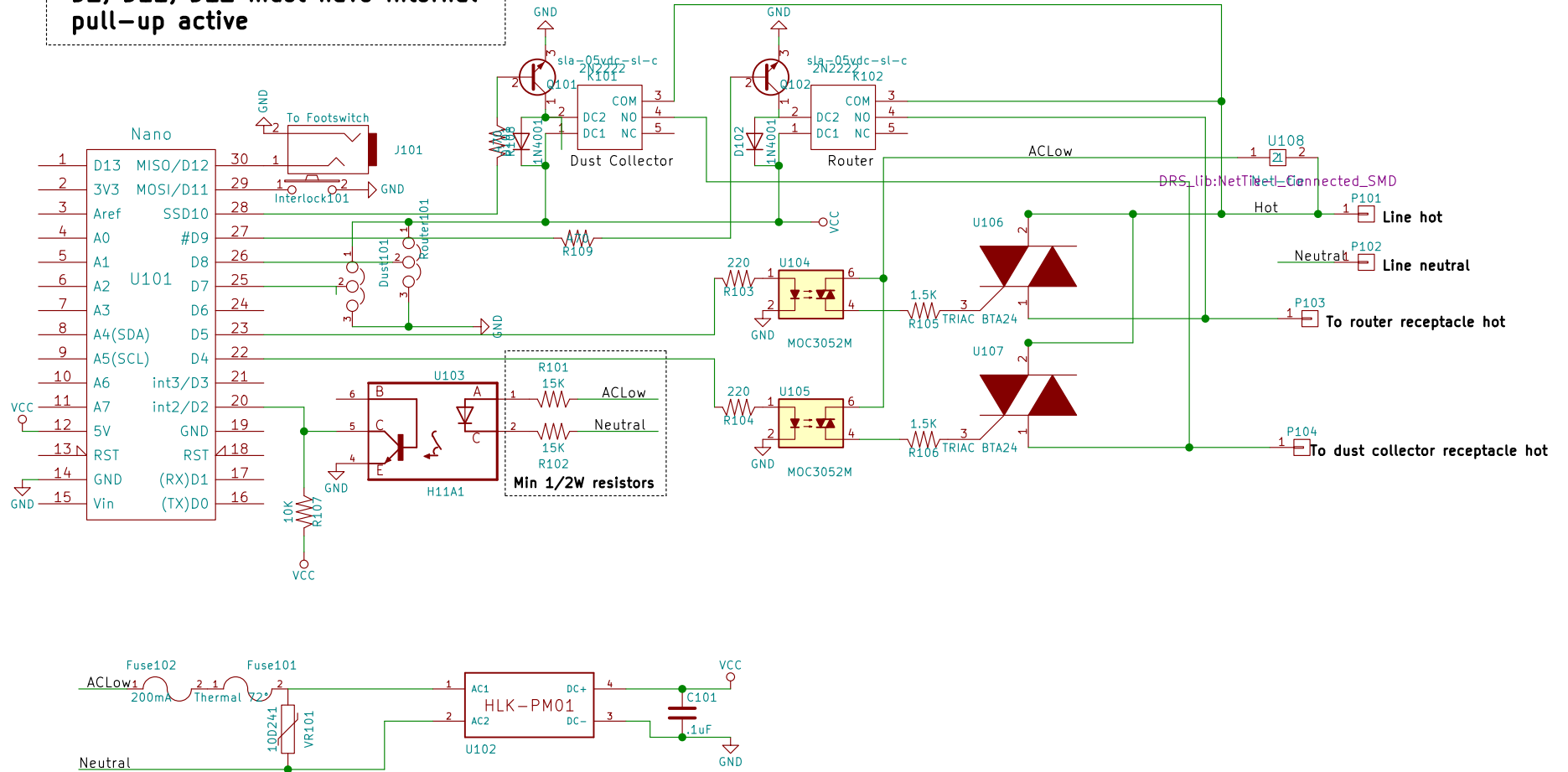


D2, D11, D12 must have internal pull-up active



Router Interlock with Slow Start option and Dust Collector delayed start

Sheet: /
File: RouterInterlock_V2.sch

Title:

Size: A4
KiCad E.D.A. kicad 4.0.7

Date:

Rev:

Id: 1/1